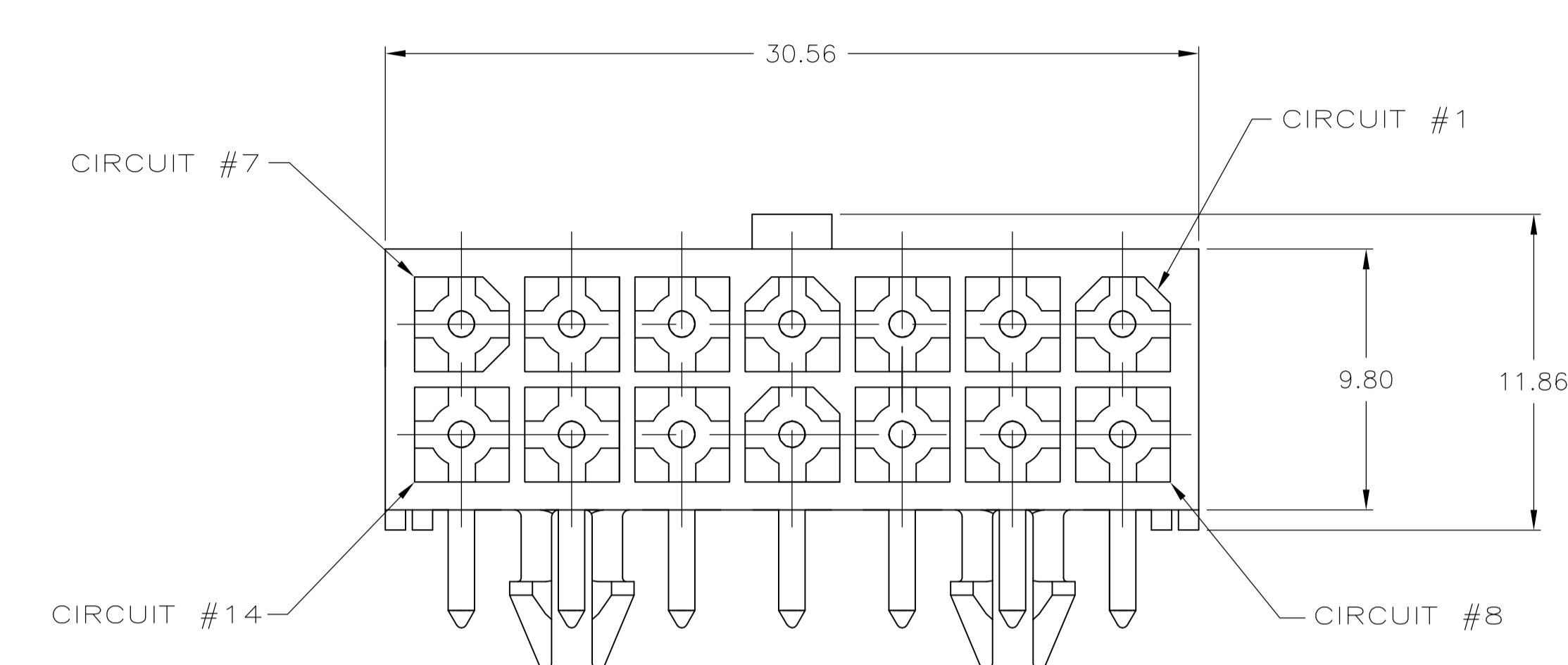
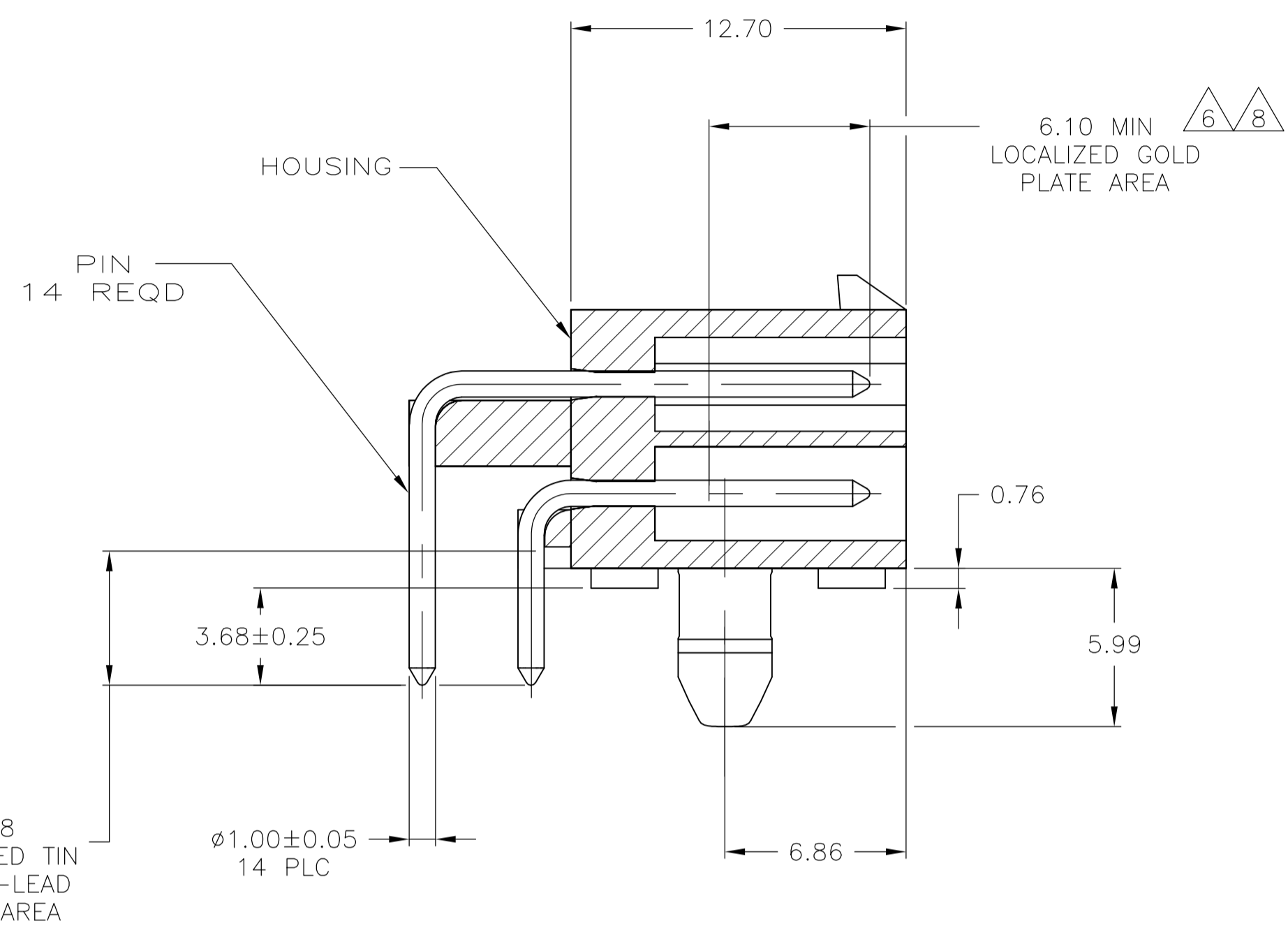
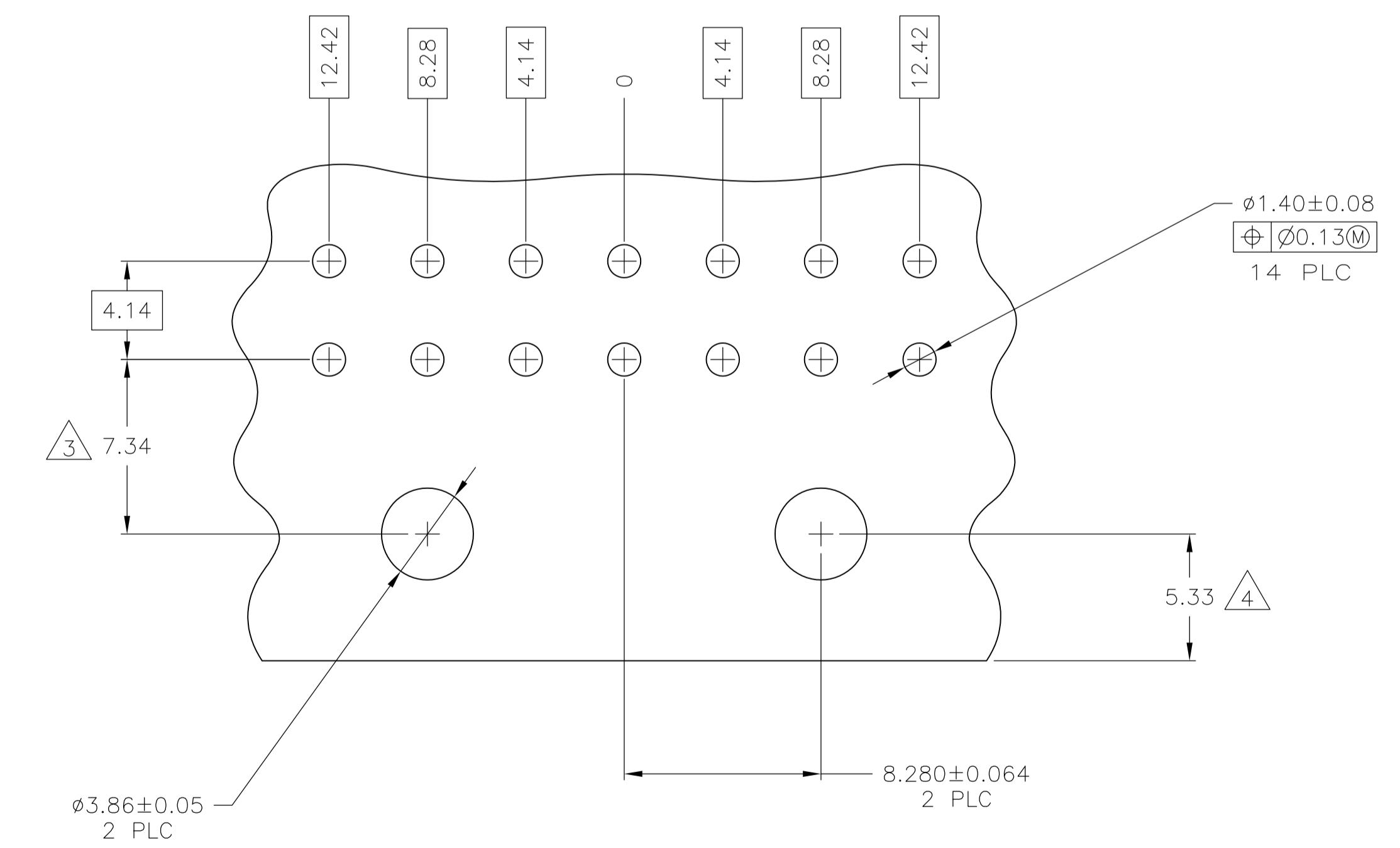


LOC		DIST		REVISIONS			
P	LTR	DESCRIPTION	DATE	DMN	APVD		
H		REVISED PER ECR-15-010337	23JUL2015	RK	SC		



- PINS TO COMPLY WITH AMP SOLDERABILITY SPEC 109-11-3.
- MATES WITH PLUG P/N 770582-1.
- COORDINATE DIMENSION APPLIES FROM CENTER OF ACTUAL FEATURE.
- RECOMMENDED FOR EDGE MOUNTING.
- 0.00381 MIN MATTE TIN LEAD OVER 0.00127 MIN NICKEL ENTIRE LENGTH OF PIN.
- 0.00076 MIN GOLD PLATE IN THE LOCALIZED PLATE AREA, 0.00381 MIN MATTE TIN LEAD IN THE LOCALIZED PLATE AREA, BOTH OVER 0.00127 MIN NICKEL.
- 0.00381 MIN MATTE TIN OVER 0.00127 MIN NICKEL ENTIRE LENGTH OF PIN.
- 0.00076 MIN GOLD PLATE IN THE LOCALIZED GOLD PLATE AREA, 0.00381 MIN MATTE TIN IN THE LOCALIZED TIN PLATE AREA, BOTH OVER 0.00127 MIN NICKEL.



RECOMMENDED MOUNTING HOLE PATTERN FOR 1.57 THICK P.C. BOARD

MM	IN	MM	IN
3.86	.152	30.56	1.203
3.68	.145	12.70	.500
1.57	.062	12.42	.489
1.40	.055	12.42	.489
1.00	.039	9.80	.386
0.76	.030	8.280	.3260
0.25	.010	8.28	.326
0.13	.005	7.34	.289
0.08	.003	6.86	.270
0.064	.0025	6.10	.240
0.05	.002	5.99	.236
0.00381	.000150	5.33	.210
0.00127	.000050	5.08	.200
0.00076	.000030	4.14	.163
MM	IN	MM	IN

CONVERSION TABLE

MATERIAL	FINISH	MATERIAL	COLOR	PART NO.
BRASS	8	NYLON, UL94V-0	WHITE	1-770973-1
BRASS	7	NYLON, UL94V-0	WHITE	1-770973-0
BRASS	6	NYLON, UL94V-0	WHITE	770973-2
BRASS	5	NYLON, UL94V-0	WHITE	770973-1

THIS DRAWING IS A CONTROLLED DOCUMENT.

DIMENSIONS: mm	TOLERANCES UNLESS OTHERWISE SPECIFIED:	DIN S. CARPENTER 24JUL03	APVD C. JONES 24JUL03
0 PLC ± -	1 PLC ± -	NAME	TE Connectivity
2 PLC ± -	3 PLC ± 0.13	PRODUCT SPEC	HEADER ASSEMBLY, RIGHT ANGLE, WITH SHORT PEG, 14 CIRCUIT, MINI UNIVERSAL MATE-N-LOK(TM)
4 PLC ± -	ANGLES ± -	APPLICATION SPEC	SIZE CAGE CODE DRAWING NO RESTRICTED TO
SEE TABLE	SEE TABLE	WEIGHT	A1 00779 C=770973
		CUSTOMER DRAWING	SCALE 5:1 SHEET 1 OF 1 REV H